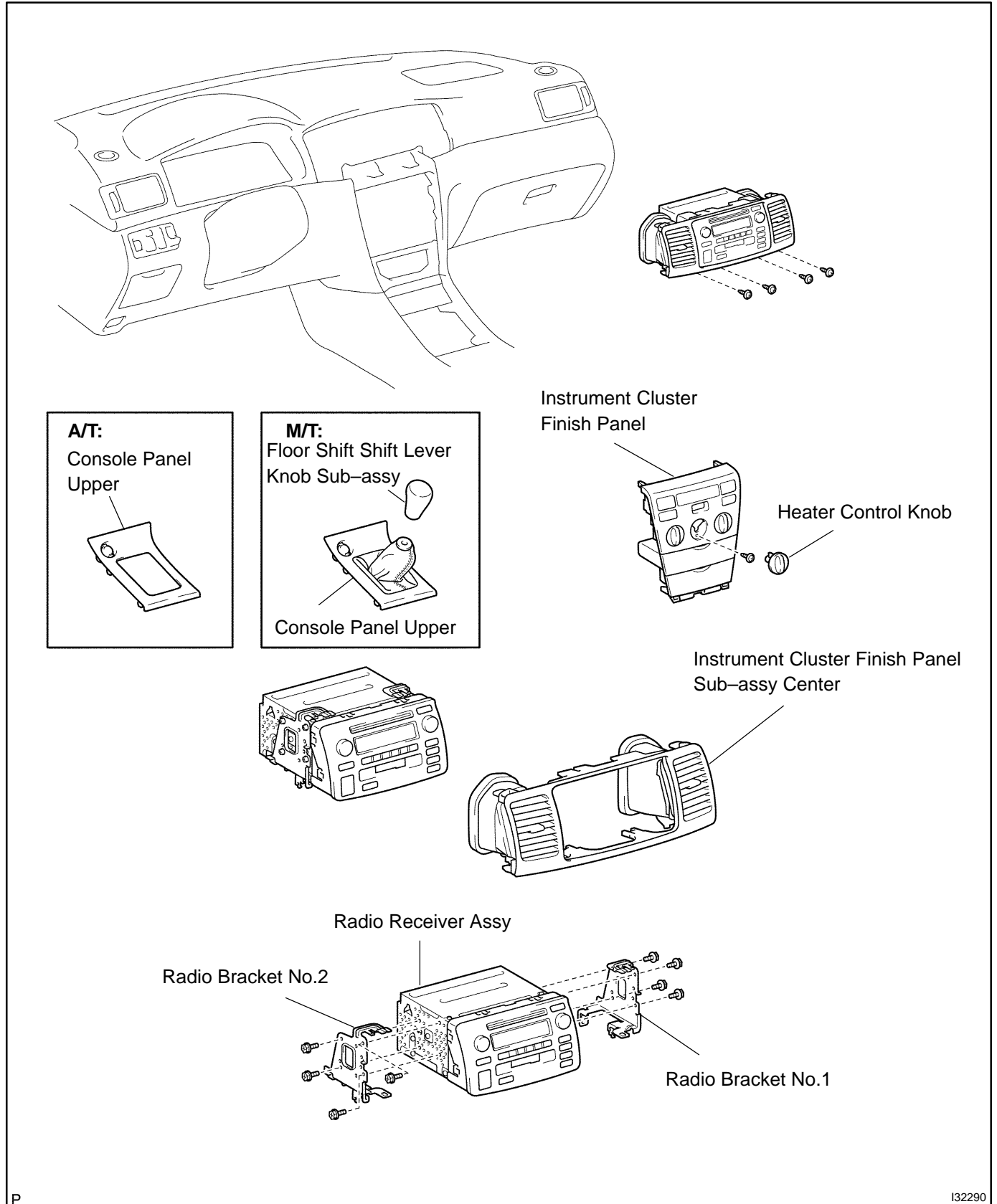


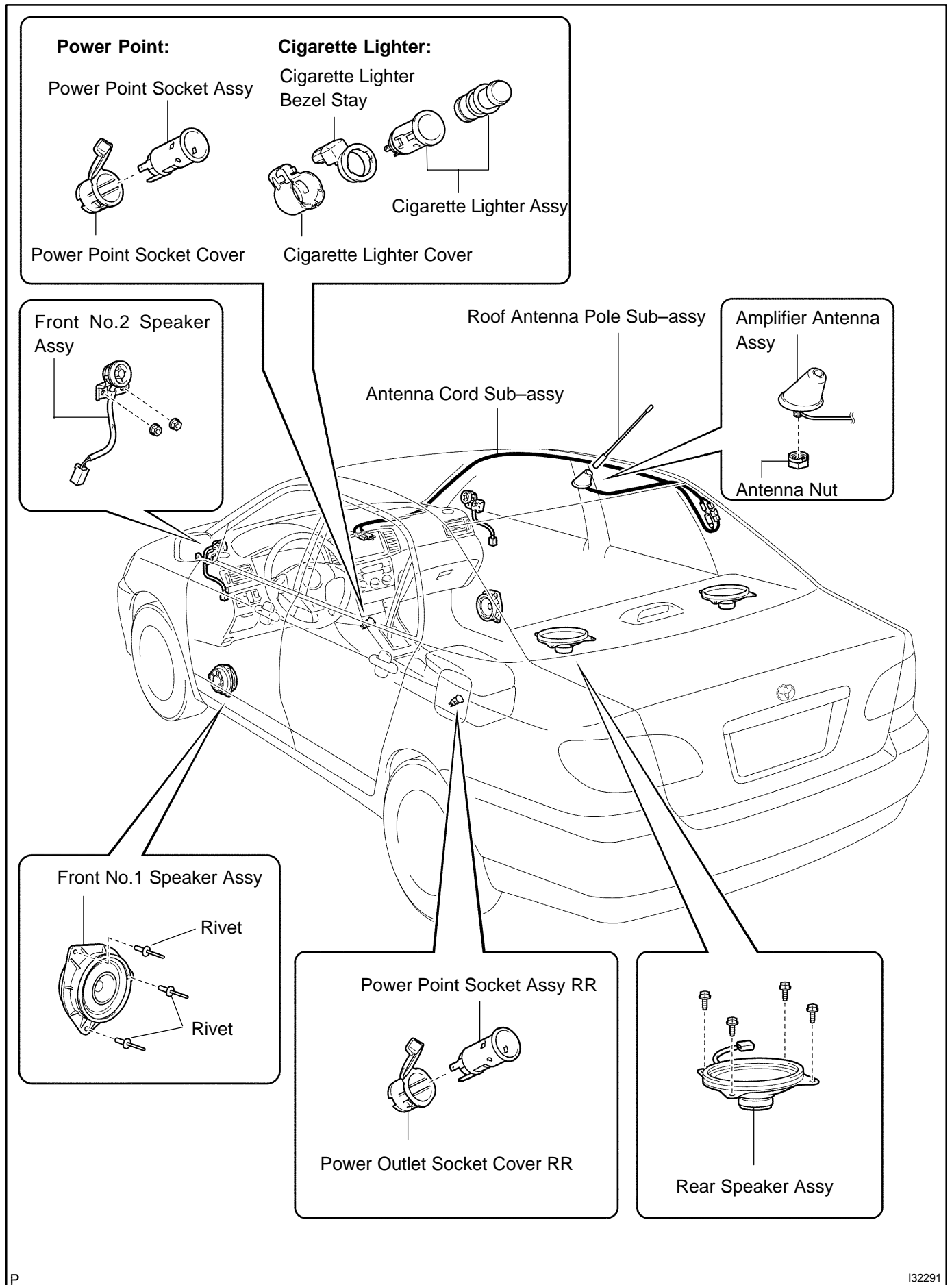
# AUDIO & VISUAL SYSTEM COMPONENTS

670DZ-01



P

132290



P

I32291

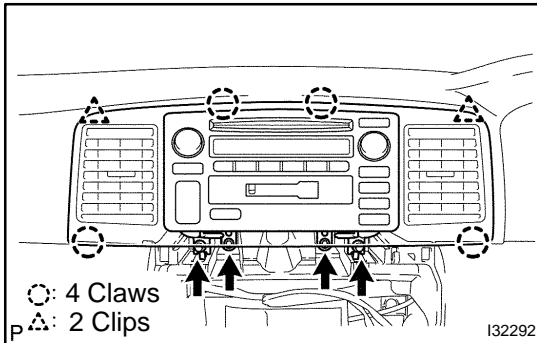
# RADIO RECEIVER ASSY REPLACEMENT

670DY-01

HINT:

COMPONENTS: See page 67-1

1. REMOVE FLOOR SHIFT SHIFTER LEVER KNOB SUB-ASSY (M/T TRANSAXLE)(See page 71-10)
2. REMOVE CONSOLE PANEL UPPER(See page 71-10)
3. REMOVE HEATER CONTROL KNOB(See page 71-10)
4. REMOVE INSTRUMENT CLUSTER FINISH PANEL(See page 71-10)



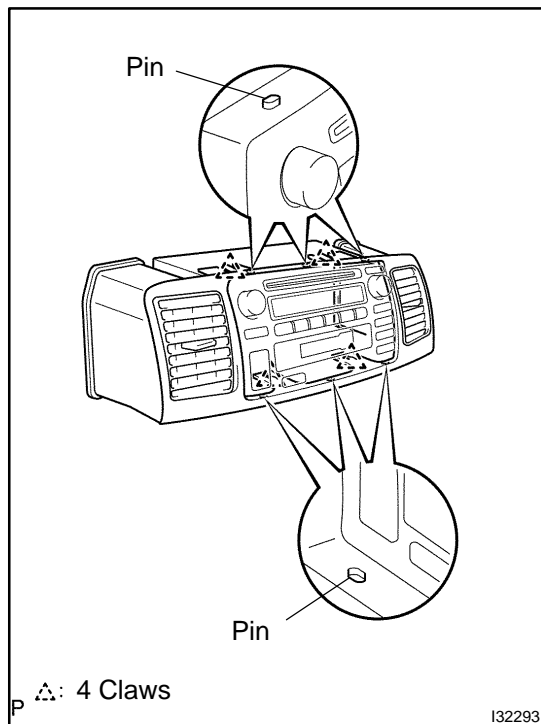
## 5. REMOVE INSTRUMENT CLUSTER FINISH PANEL SUB-ASSY CENTER

- (a) Remove the 4 screws.
- (b) Using a screwdriver, disengage the 2 clips and 4 claws, then remove the instrument cluster finish panel sub-assy center with radio receiver assy.

HINT:

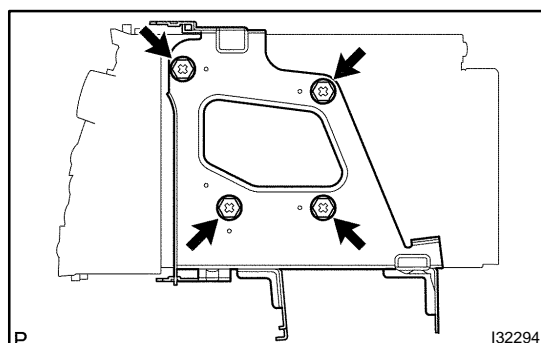
Tape the screwdriver tip before use.

- (c) Disconnect the connectors.



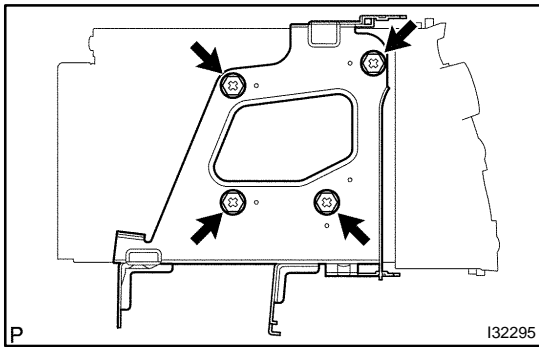
## 6. REMOVE RADIO RECEIVER ASSY

- (a) Disengage the 4 claws and 6 pins.
- (b) Remove the radio receiver assy from the instrument cluster finish panel sub-assy center.



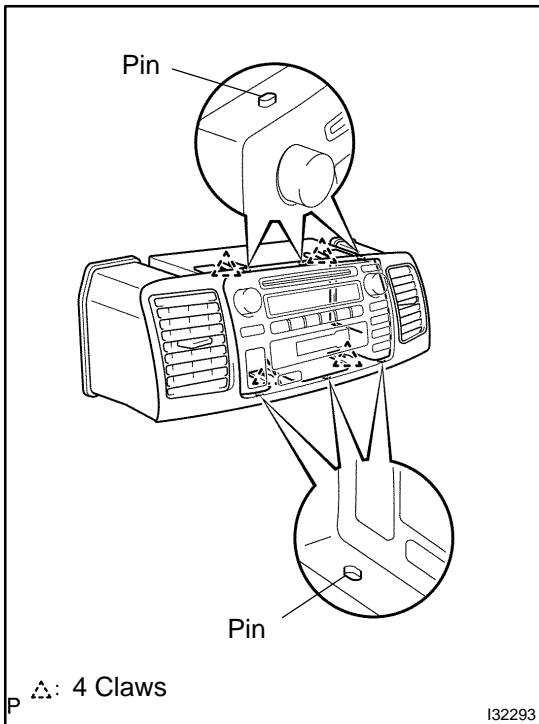
## 7. REMOVE RADIO BRACKET NO.1

- (a) Remove the 4 screws and radio bracket No. 1.



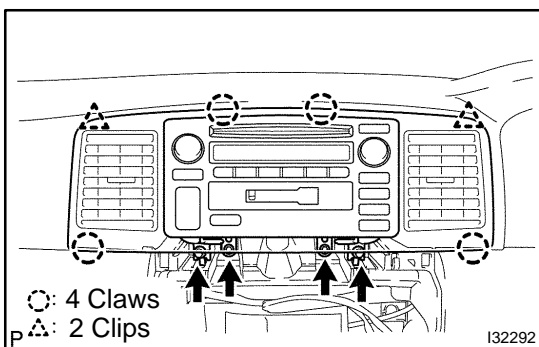
## 8. REMOVE RADIO BRACKET NO.2

- (a) Remove the 4 screws and radio bracket No. 2.



## 9. INSTALL INSTRUMENT CLUSTER FINISH PANEL SUB-ASSY CENTER

- (a) Place the radio receiver assy temporarily on the instrument panel sub-assy upper. (\*1)
- (b) Under the condition of (\*1), engage the 6 pins and 4 claws of the radio receiver assy with the instrument cluster finish panel sub-assy center. (\*2)
- (c) Under the condition of (\*2), slide the instrument cluster finish panel sub-assy center and the radio receiver assy forward of the vehicle.



- (d) Connect the connectors and install the 2 clips and 4 claws.
- (e) Install the 4 screws and instrument cluster finish panel sub-assy center with radio receiver assy.

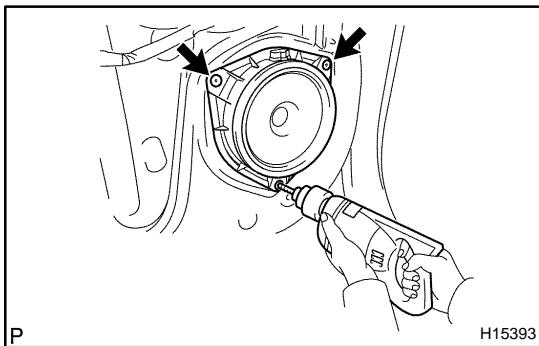
# FRONT NO.1 SPEAKER ASSY REPLACEMENT

670E0-01

HINT:

COMPONENTS: See page 67-1

1. REMOVE FRONT ARMREST ASSY LH(See page 75-7)
2. REMOVE POWER WINDOW REGULATOR MASTER SWITCH ASSY (W/ POWER WINDOW)  
(See page 75-7)
3. REMOVE FRONT ARMREST BASE PANEL UPPER LH (W/O POWER WINDOW)  
(See page 75-7)
4. REMOVE FRONT DOOR WINDOW REGULATOR HANDLE ASSY (W/O POWER WINDOW)  
(See page 75-7)
5. REMOVE FRONT DOOR LOWER FRAME BRACKET GARNISH LH(See page 75-7)
6. REMOVE FRONT DOOR TRIM BOARD SUB-ASSY LH(See page 75-7)



## 7. REMOVE FRONT NO.1 SPEAKER ASSY

- (a) Disconnect the connector.
- (b) Using a rivet cutter and air drill, drill out the rivets and remove the front No.1 speaker assy.

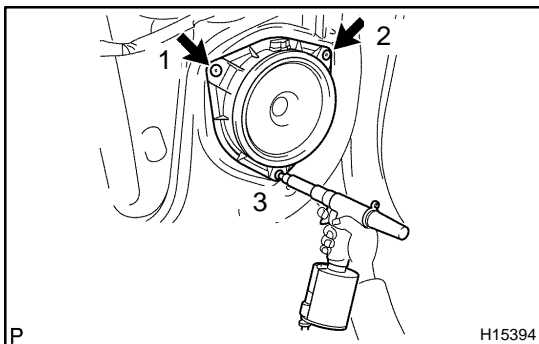
### NOTICE:

- Prizing the hole with a drill can lead to damage to the rivet hole or breaking the drill.
- Take care as the cut rivet is hot.

### HINT:

Even if flange is taken off, continue drilling and push out remaining fragments with the drill.

- (c) Using a vacuum cleaner, remove the drilled rivet and their dust from the inside of the door.

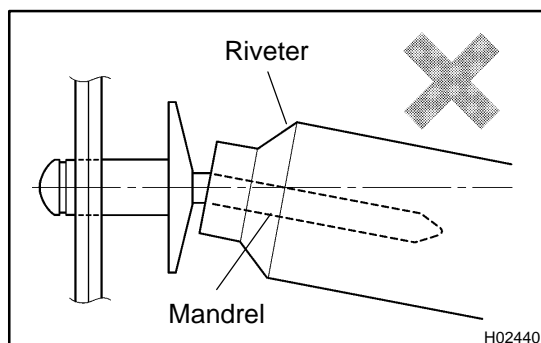


## 8. INSTALL FRONT NO.1 SPEAKER ASSY

- (a) Using an air riveter and nose piece No.1, strike rivets into the door panel to install the front No.1 speaker assy to the door panel.

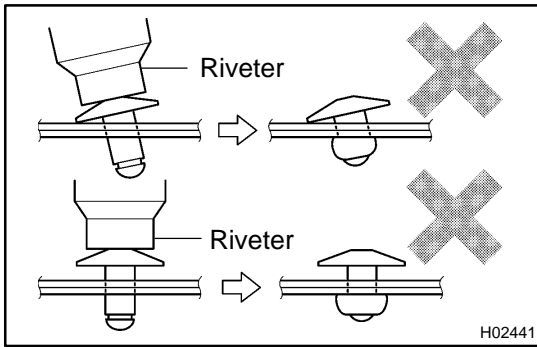
### NOTICE:

Install them in the order shown in the illustration.

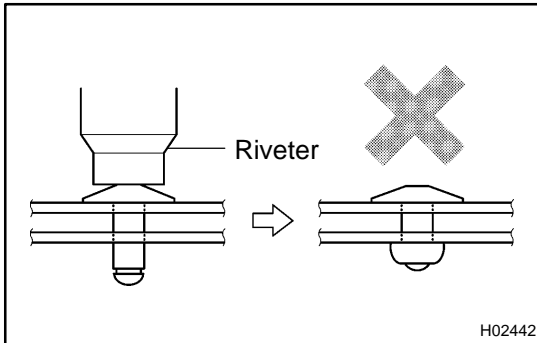


### NOTICE:

- Do not prize a riveter, as riveter is damaged, it is not tightened and the mandrel is bent.



- Do not tilt the riveter and disconnect the rivet from the material while handling a riveter, as the materials are not tightened firmly.



- Install the rivet while attaching materials, as they are not tightened firmly.
- (b) Connect the connector.

**9. INSTALL FRONT DOOR WINDOW REGULATOR HANDLE ASSY (W/O POWER WINDOW)**  
 (See page [75-7](#))

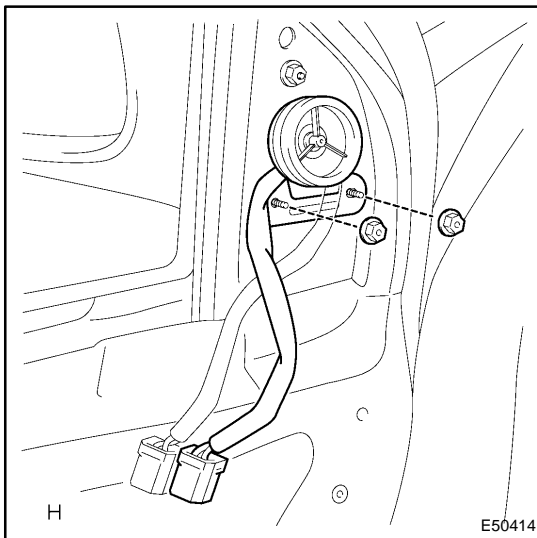
# FRONT NO.2 SPEAKER ASSY REPLACEMENT

670E1-01

HINT:

COMPONENTS: See page 67-1

1. REMOVE FRONT ARMREST ASSY LH(See page 75-7)
2. REMOVE POWER WINDOW REGULATOR MASTER SWITCH ASSY (W/ POWER WINDOW)  
(See page 75-7)
3. REMOVE FRONT ARMREST BASE PANEL UPPER LH (W/O POWER WINDOW)  
(See page 75-7)
4. REMOVE FRONT DOOR WINDOW REGULATOR HANDLE ASSY (W/O POWER WINDOW)  
(See page 75-7)
5. REMOVE FRONT DOOR LOWER FRAME BRACKET GARNISH LH(See page 75-7)
6. REMOVE FRONT DOOR TRIM BOARD SUB-ASSY LH(See page 75-7)



7. REMOVE FRONT NO.2 SPEAKER ASSY
  - (a) Open the part of service hole cover, then disconnect the connector.
  - (b) Remove the 2 nuts and front No. 2 speaker assy.

8. INSTALL FRONT DOOR WINDOW REGULATOR HANDLE ASSY (W/O POWER WINDOW)  
(See page 75-7)

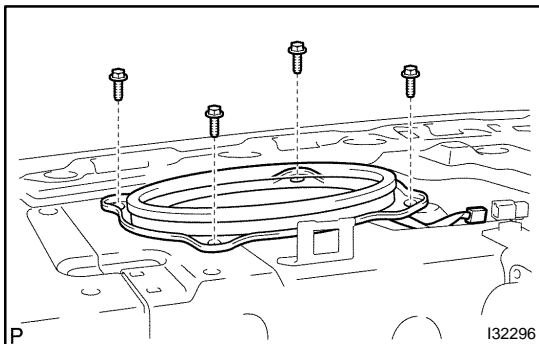
# REAR SPEAKER ASSY REPLACEMENT

670E2-01

HINT:

COMPONENTS: See page 67-1

1. REMOVE REAR DOOR OPENING TRIM RH
2. REMOVE REAR DOOR OPENING TRIM LH
3. REMOVE BENCH TYPE REAR SEAT CUSHION ASSY(See page 72-6 or 72-8)
4. REMOVE REAR SEAT BACK ASSY (FIXED TYPE REAR SEAT)(See page 72-8)
5. REMOVE REAR SEAT BACK ASSY (SEPARATED TYPE REAR SEAT)(See page 72-6)
6. REMOVE REAR SEAT SIDE GARNISH RH (FIXED TYPE REAR SEAT)(See page 76-21)
7. REMOVE REAR SEAT SIDE GARNISH LH (FIXED TYPE REAR SEAT)(See page 76-21)
8. REMOVE ROOM PARTITION BOARD LH (SEPARATED TYPE REAR SEAT)(See page 76-21)
9. REMOVE ROOM PARTITION BOARD RH (SEPARATED TYPE REAR SEAT)(See page 76-21)
10. REMOVE ROOF SIDE GARNISH INNER RH(See page 76-21)
11. REMOVE ROOF SIDE GARNISH INNER LH(See page 76-21)
12. REMOVE PACKAGE TRAY TRIM PANEL ASSY(See page 76-21)



13. REMOVE REAR SPEAKER ASSY
  - (a) Disconnect the connector.
  - (b) Remove the 4 screws and rear speaker assy.

14. INSTALL REAR SEAT BACK ASSY (FIXED TYPE REAR SEAT)(See page 72-8)
15. INSTALL REAR SEAT BACK ASSY (SEPARATED TYPE REAR SEAT)(See page 72-6)
16. INSTALL BENCH TYPE REAR SEAT CUSHION ASSY(See page 72-6 or 72-8)

# ANTENNA CORD SUB-ASSY REPLACEMENT

670E3-01

HINT:

COMPONENTS: See page 67-1

## 1. REMOVE INSTRUMENT PANEL SUB-ASSY UPPER(See page 71-10)

HINT:

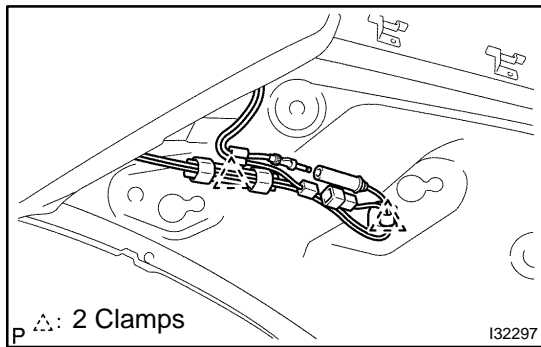
- Refer to the procedure until the step, "REMOVE INSTRUMENT PANEL SUB-ASSY UPPER" of INSTRUMENT PANEL SUB-ASSY LOWER.
- Remove the related parts as long as the antenna cord sub-assy can be removed.

## 2. REMOVE VISOR HOLDER(See page 76-21)

HINT:

- Refer to the procedure until the step, "REMOVE VISOR HOLDER" of ROOF HEADLINING ASSY.
- Remove the parts related to the roof headlining assy in the range that antenna cord can be cut off.

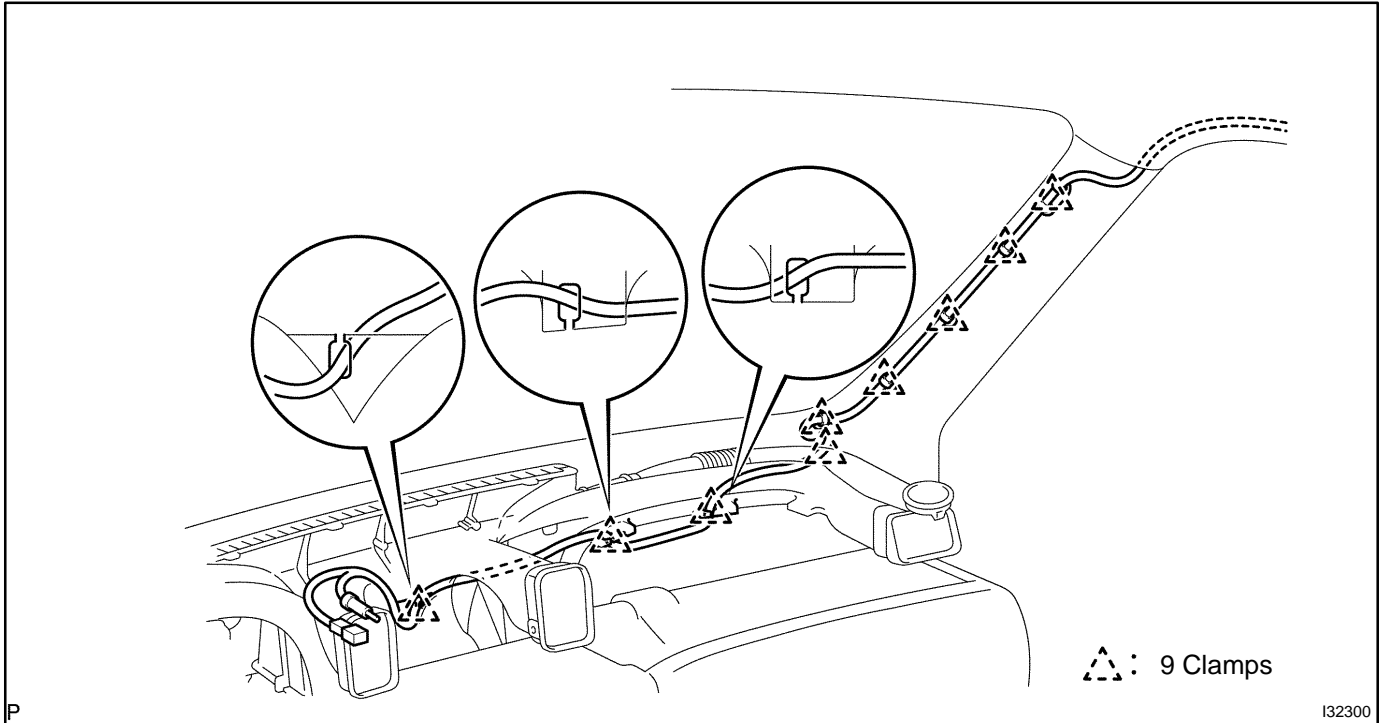
## 3. REMOVE SUN ROOF OPENING TRIM MOULDING (W/ SLIDING ROOF)



## 4. DISCONNECT ANTENNA CORD SUB-ASSY

- REAR SIDE:  
Disconnect the connector and antenna cord plug.
- REAR SIDE:  
Remove the 2 clamps.

- (c) FRONT SIDE:  
Remove the 9 clamps.



**5. REMOVE ROOF HEADLINING ASSY(See page 76-21)**

**NOTICE:**

**Do not bend the roof headlining assy.**

**6. REMOVE ANTENNA CORD SUB-ASSY**

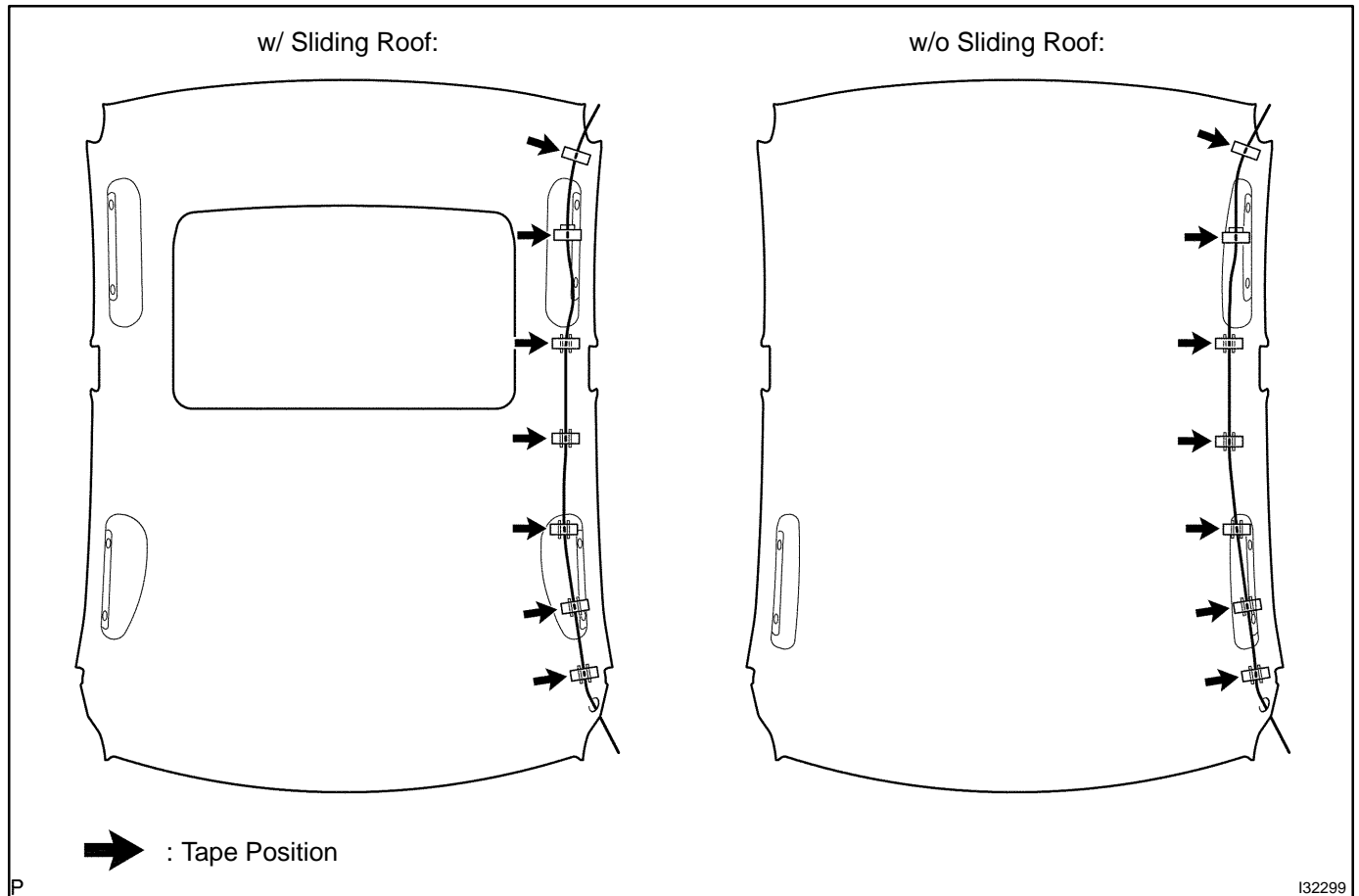
- (a) Remove the antenna cord sub-assy from the roof headlining.

## 7. INSTALL ANTENNA CORD SUB-ASSY

(a) Tape the antenna cord sub-assy at the position of the roof headlining shown in the illustration.

### NOTICE:

- The antenna cord sub-assy should come to the center of the tape (100 mm(3.94 in.) x 25 mm(0.98 in.)) when taped.
- Try not to touch the adhesive side of the tape when taping.



(b) Install the roof headlining assy (See page 76-21).

(c) Engage the 9 clamps at the front side of antenna cord.

(d) Connect the plug and connector at the rear side of antenna cord.

**8. INSTALL REAR SEAT BACK ASSY (FIXED TYPE REAR SEAT)(See page 72-8)**

**9. INSTALL REAR SEAT BACK ASSY (SEPARATED TYPE REAR SEAT)(See page 72-6)**

**10. INSTALL BENCH TYPE REAR SEAT CUSHION ASSY(See page 72-6 or 72-8)**

**11. INSTALL INSTRUMENT PANEL SUB-ASSY UPPER(See page 71-10)**

### HINT:

Refer to the procedure until the step, "INSTALL INSTRUMENT PANEL SUB-ASSY UPPER" of INSTRUMENT PANEL SUB-ASSY LOWER.

# AMPLIFIER ANTENNA ASSY REPLACEMENT

670E4-01

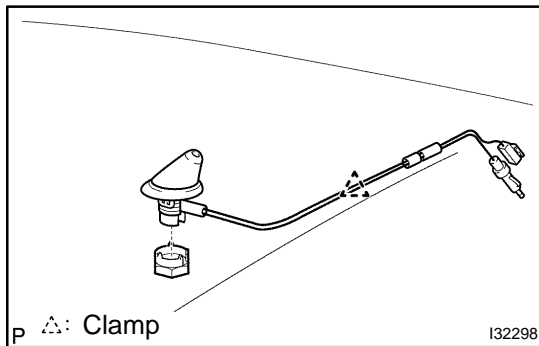
HINT:

COMPONENTS: See page 67-1

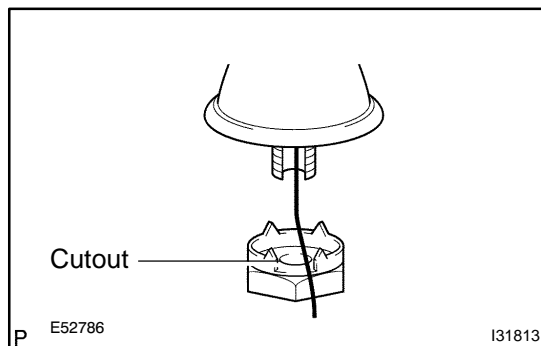
**1. REMOVE ROOF HEADLINING ASSY(See page 76-21)****NOTICE:****Do not bend the roof headlining assy.**

HINT:

- Refer to the procedure from "REMOVE ROOF HEADLINING ASSY" of ROOF HEADLINING ASSY.
- Remove the related parts as long as the amplifier antenna assy can be removed.

**2. REMOVE ROOF ANTENNA POLE SUB-ASSY(See page 67-13)****3. REMOVE AMPLIFIER ANTENNA ASSY**

- Disconnect the connector and antenna cord plug.
- Remove the clamp.
- Remove the antenna nut and amplifier antenna assy.

**4. INSTALL AMPLIFIER ANTENNA ASSY**

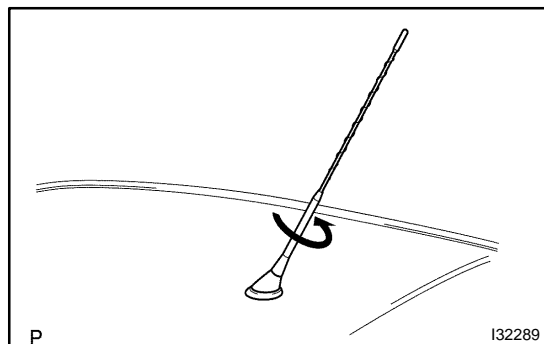
- Set the amplifier antenna assy to the hole on the roof, and place the antenna cord on the cutout of the antenna nut.
- Install the amplifier antenna assy with the antenna nut.

**Torque: 4.5 N·m (46 kgf·cm, 40 in·lbf)****5. INSTALL ROOF HEADLINING ASSY(See page 76-21)****6. INSTALL REAR SEAT BACK ASSY (FIXED TYPE REAR SEAT)(See page 72-8)****7. INSTALL REAR SEAT BACK ASSY (SEPARATED TYPE REAR SEAT)(See page 72-6)****8. INSTALL BENCH TYPE REAR SEAT CUSHION ASSY(See page 72-6 or 72-8)**

# ROOF ANTENNA POLE SUB-ASSY REPLACEMENT

670E5-01

HINT:

COMPONENTS: See page [67-1](#)

1. **REMOVE ROOF ANTENNA POLE SUB-ASSY**
  - (a) Remove the roof antenna pole by turning it in the arrow direction in the illustration.

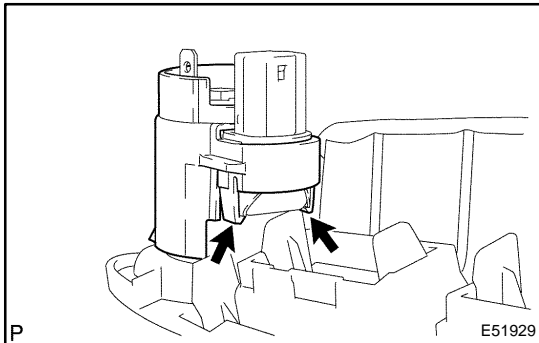
# CIGARETTE LIGHTER ASSY REPLACEMENT

670E6-01

HINT:

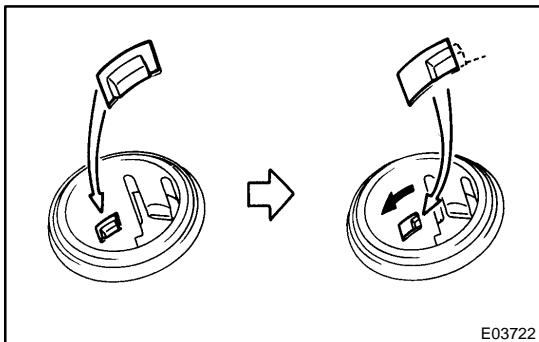
COMPONENTS: See page 67-1

1. REMOVE FLOOR SHIFT LEVER KNOB SUB-ASSY (M/T TRANSAXLE)(See page 71-10)
2. REMOVE CONSOLE PANEL UPPER(See page 71-10)



### 3. REMOVE CIGARETTE LIGHTER COVER

- (a) Disengage the 2 claws and remove the cigarette lighter cover.



### 4. REMOVE CIGARETTE LIGHTER ASSY

- (a) Turn the socket in the circumference direction as shown in the illustration, disengage the claw between the socket and the cigarette lighter bezel stay, and push out the socket to the room side.
- (b) Align the socket with the notch on the cigarette lighter bezel stay, remove the cigarette lighter assy to the room side.

### 5. INSTALL CIGARETTE LIGHTER ASSY

- (a) Align the socket with the notch on the cigarette lighter bezel stay, push the cigarette lighter assy into as hard as possible and install it.

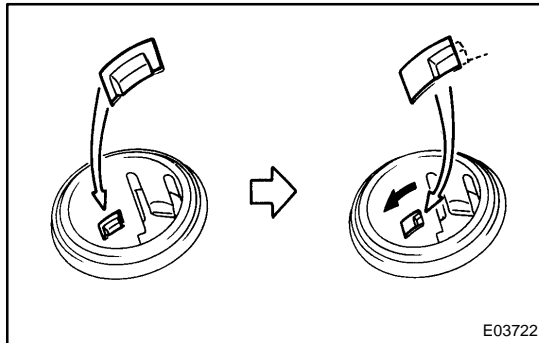
# POWER POINT SOCKET ASSY REPLACEMENT

670E7-01

HINT:

COMPONENTS: See page 67-1

1. REMOVE FLOOR SHIFT LEVER KNOB SUB-ASSY (M/T TRANSAXLE)(See page 71-10)
2. REMOVE CONSOLE PANEL UPPER(See page 71-10)



### 3. REMOVE POWER POINT SOCKET ASSY

- (a) Turn the socket in the circumference direction as shown the illustration, disengage the claw between the socket and the power point socket cover, and push out the socket to the room side.

- (b) Align the socket with the notch on the power point socket cover, remove the power point socket assy to the room side.

### 4. INSTALL POWER POINT SOCKET ASSY

- (a) Align the socket with the notch on the power point socket cover, push the power point socket assy into as hard as possible and install it.

# POWER POINT SOCKET ASSY RR

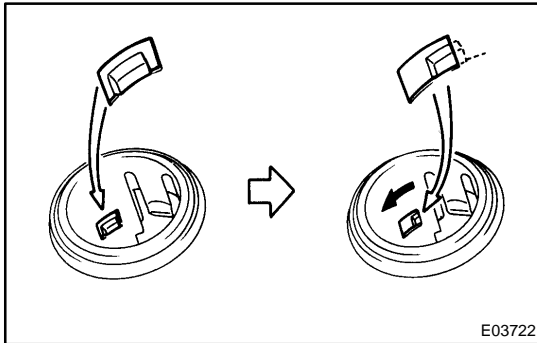
## REPLACEMENT

670E8-01

HINT:

COMPONENTS: See page 67-1

1. REMOVE PARKING BRAKE HOLE COVER SUB-ASSY(See page 71-10)
2. REMOVE FLOOR SHIFT LEVER KNOB SUB-ASSY (M/T TRANSAXLE)(See page 71-10)
3. REMOVE CONSOLE PANEL UPPER(See page 71-10)
4. REMOVE CONSOLE BOX CARPET
5. REMOVE CONSOLE BOX SUB-ASSY REAR (M/T TRANSAXLE)(See page 71-10)
6. REMOVE CONSOLE BOX SUB-ASSY REAR (A/T TRANSAXLE)(See page 71-10)



### 7. REMOVE POWER POINT SOCKET ASSY RR

- (a) Turn the socket in the circumference direction as shown the illustration, disengage the claw between the socket and the power outlet socket cover RR, and push out the socket to the room side.

- (b) Align the socket with the notch on the power outlet socket cover RR, remove the power point socket assy RR to the room side.

### 8. INSTALL POWER POINT SOCKET ASSY RR

- (a) Align the socket with the notch on the power outlet socket cover RR, push the power point socket assy RR into as hard as possible and install it.