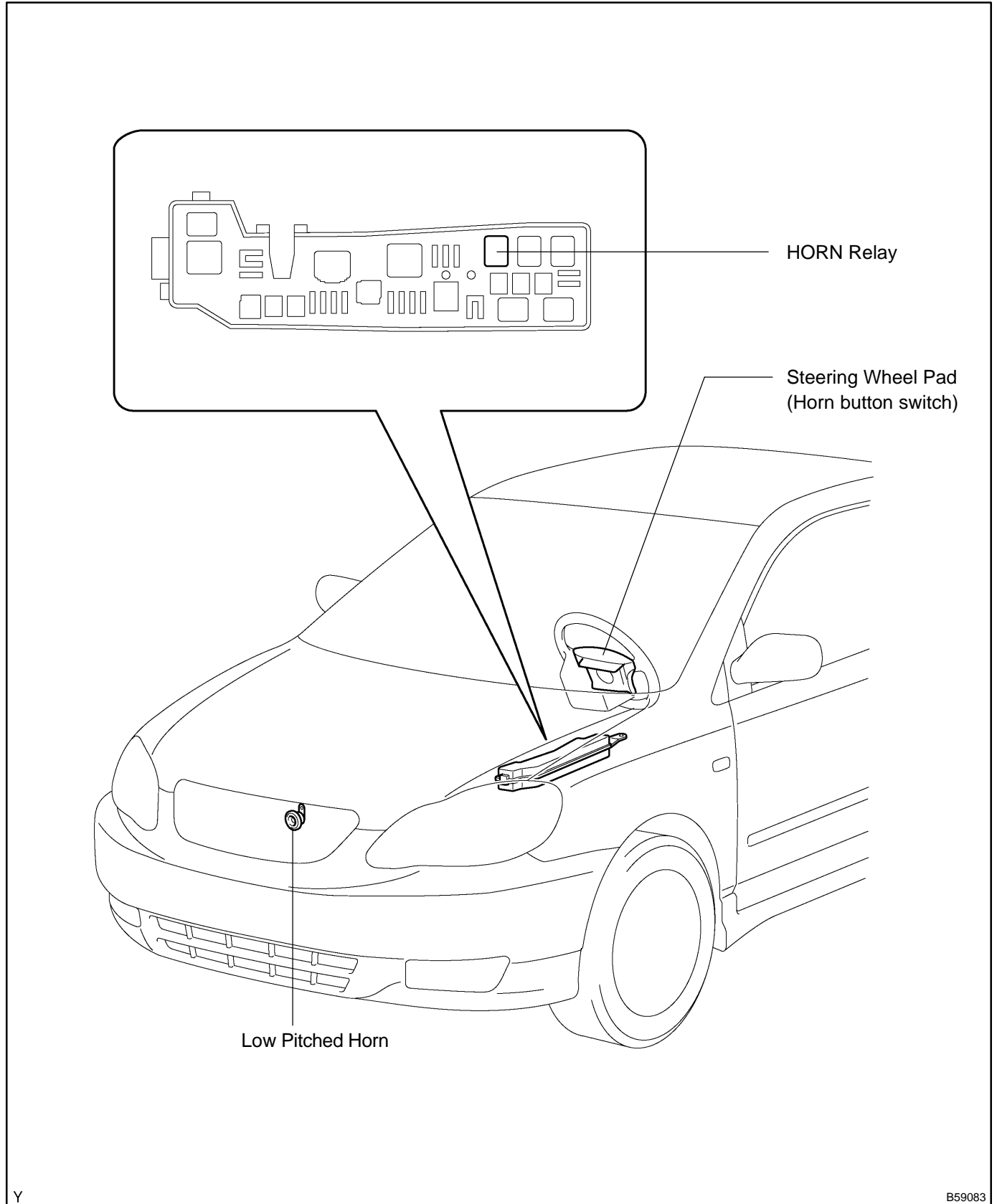


HORN SYSTEM LOCATION

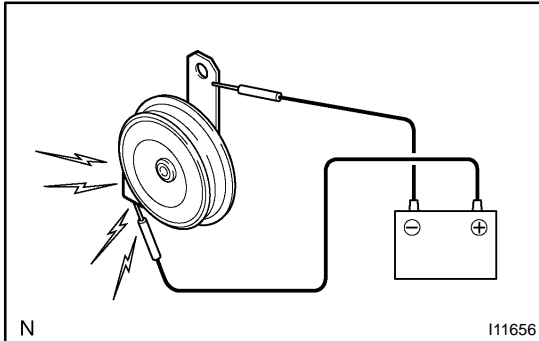
69044-01



PROBLEM SYMPTOMS TABLE

Symptom	Suspected Area	See page
Horn does not sound	2. Horn button switch 3. Low pitched horn 4. HORN relay 5. Wire harness	- 69-3 69-3 -

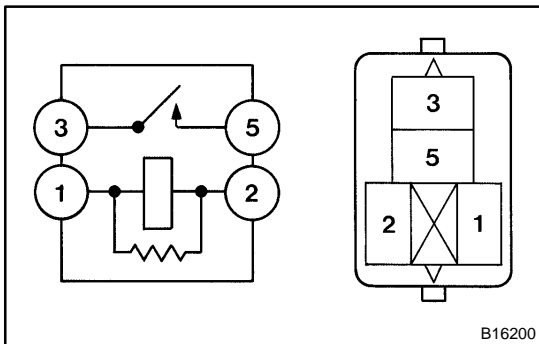
INSPECTION



1. INSPECT LOW PITCHED HORN ASSY

- (a) Connect the positive (+) lead from the battery to the terminal and the negative (-) lead to the horn body, and check that the horn blows.

If the result is not as specified, replace the horn.



2. INSPECT HORN RELAY ASSY (Marking: HORN)

- (a) Remove the horn relay from the engine room J/B.
- (b) Inspect the horn relay continuity.

Standard:

Terminal No.	Condition	Specified condition
1 ↔ 2	Constant	Continuity
3 ↔ 5	Apply B+ between terminals 1 and 2	

If the result is not as specified, replace the relay.