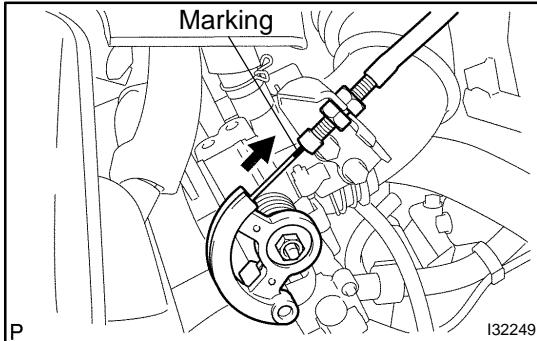


CRUISE CONTROL SYSTEM

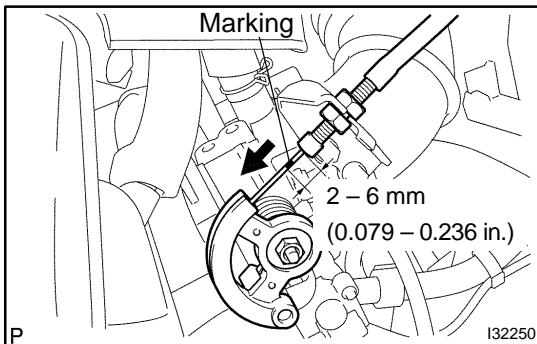
ON-VEHICLE INSPECTION

82021-01

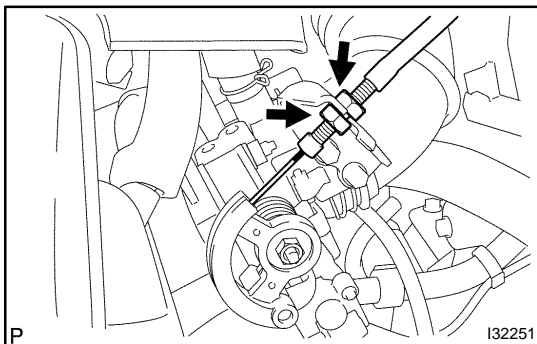


1. CHECK PLAY OF ACCELERATOR AUTO DRIVE CABLE ASSY

- (a) Push the wire into the cable so as not to move the throttle link and put a mark on the position shown in the illustration.



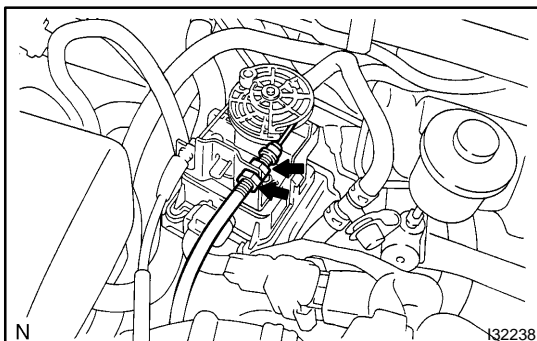
- (b) Pull the wire and check the moved distance of the mark.



2. ADJUST PLAY IN ACCELERATOR AUTO DRIVE CABLE ASSY

- (a) Changing the double nut position shown by the arrows, adjust the play to the standard value.

Standard: 2 - 6 mm (0.079 - 0.236 in.)



3. ADJUST PLAY IN ACCELERATOR CONTROL CABLE ASSY

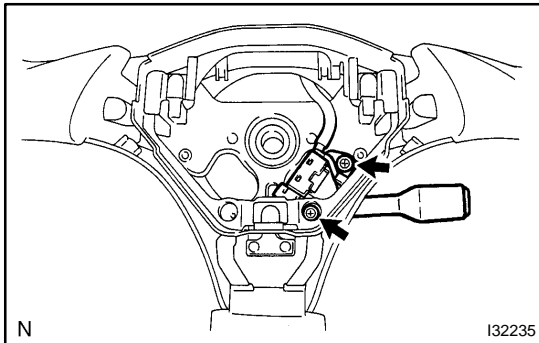
- (a) Remove the cruise control actuator cover and adjust the play in the accelerator control cable assy by changing the double nut position.

SPEED CONTROL MAIN SWITCH ASSY

82022-03

REPLACEMENT

1. DISCONNECT BATTERY NEGATIVE TERMINAL
2. INSPECT PLACE FRONT WHEELS FACING STRAIGHT AHEAD
3. REMOVE HORN BUTTON ASSY(See page 60-13)
4. REMOVE STEERING WHEEL ASSY(See page 50-8)
SST 09950-50013 (09951-05010, 09952-05010, 09953-05020, 09954-05021)



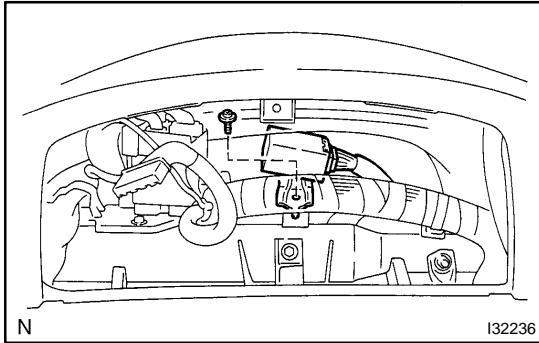
5. REMOVE SPEED CONTROL MAIN SWITCH ASSY
 - (a) Remove the 2 screws and cruise control main switch assy.
6. CENTER SPIRAL CABLE(See page 50-8)
7. INSTALL STEERING WHEEL ASSY(See page 50-8)
8. INSPECT STEERING WHEEL CENTER POINT(See page 50-8)
9. INSPECT HORN BUTTON ASSY(See page 60-13)
10. INSTALL HORN BUTTON ASSY(See page 60-13)
11. INSPECT SRS WARNING LIGHT(See page 05-424)

CRUISE CONTROL ECU ASSY

REPLACEMENT

82023-01

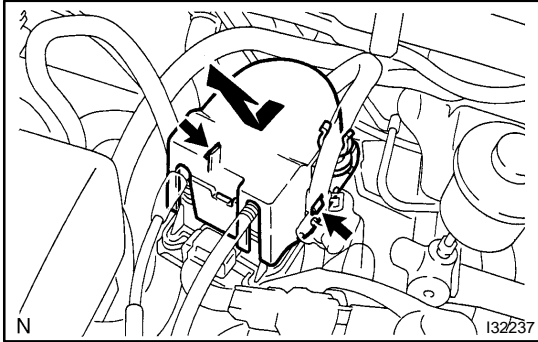
1. REMOVE METER HOOD SUB-ASSY(See page 71-17)
2. REMOVE COMBINATION METER ASSY(See page 71-17)



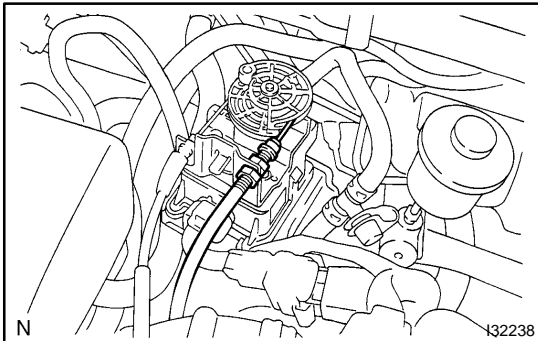
3. REMOVE CRUISE CONTROL ECU ASSY
 - (a) Disconnect the connector.
 - (b) Remove the screw and cruise control ECU assy.

CRUISE CONTROL ACTUATOR ASSY REPLACEMENT

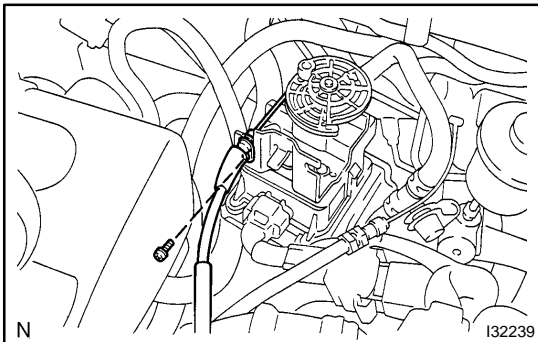
82024-01



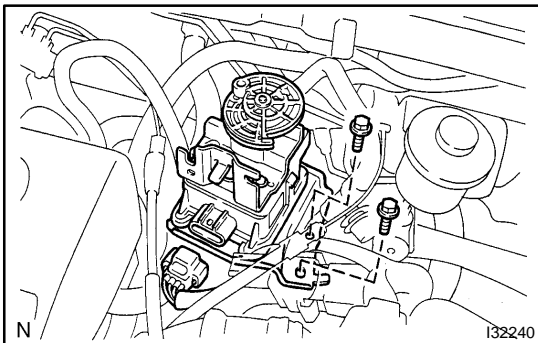
1. **REMOVE CRUISE CONTROL ACTUATOR COVER**
 - (a) Disengage the 2 claws, then remove the cruise control actuator cover.



2. **SEPARATE ACCELERATOR CONTROL CABLE ASSY**
 - (a) Loosen the double nut and separate the accelerator control cable assy.



3. **SEPARATE ACCELERATOR AUTO DRIVE CABLE ASSY**
 - (a) Remove the screw and separate the accelerator auto drive cable assy.



4. **REMOVE CRUISE CONTROL ACTUATOR ASSY**
 - (a) Disconnect the connector.
 - (b) Remove the 2 bolts and cruise control actuator assy.
Torque: 6.0 N·m (60 kgf·cm, 52 in.-lbf)

CLUTCH SWITCH ASSY

REPLACEMENT

82025-01

1. REMOVE CLUTCH SWITCH ASSY
 - (a) Disconnect the connector.
 - (b) Loosen the nut and remove the clutch switch assy.